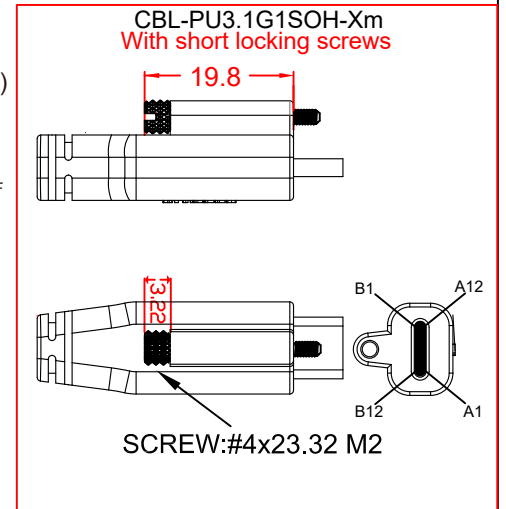
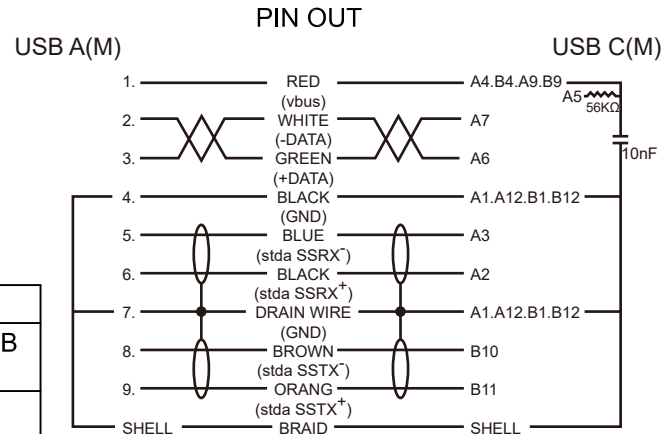


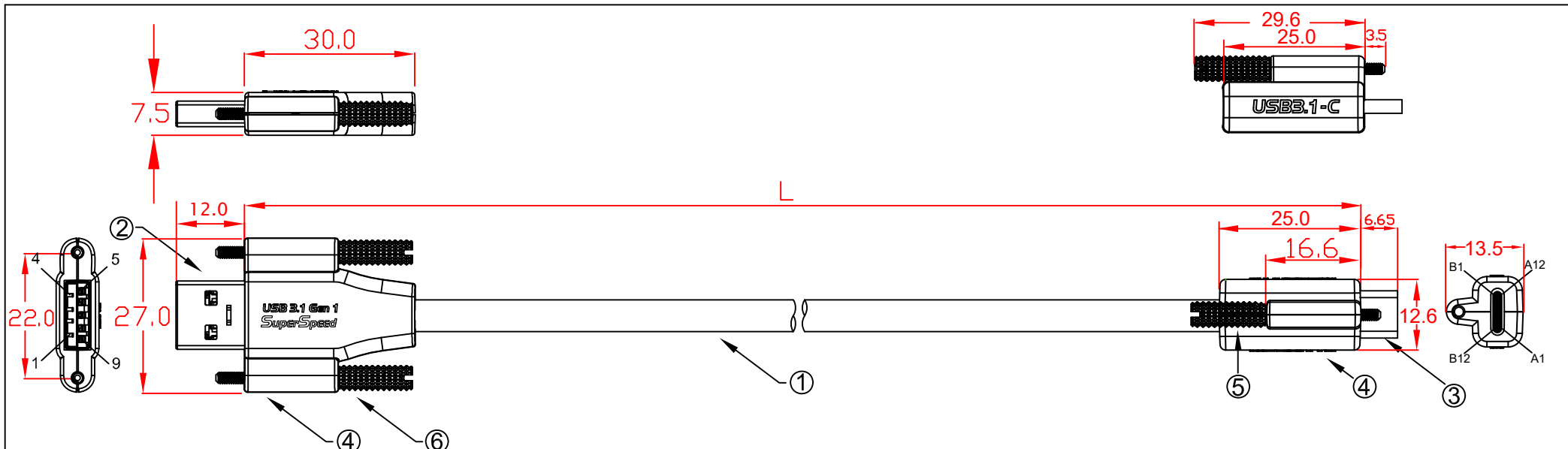
Operating Temperature: 0°C~70°C
 Operating Humidity: 20%~80% (no condensation)
 Storage Temperature: -25°C~85°C
 Storage Humidity: 20%~80% (no condensation)

- L:
- CBL-PU3.1G1SO-1m 1000mm±10mm
 - CBL-PU3.1G1SO-2m 2000mm±20mm
 - CBL-PU3.1G1SO-3m 3000mm±20mm
 - CBL-PU3.1G1SO-4m 4000mm±30mm
 - CBL-PU3.1G1SO-5m 5000mm±30mm

No	MATERIALS LIST:
1.	CABLE:UL2725 (28AWG*1PR+D+AM)x2C+28AWG*1PR+24AWG*1C+AM+B OD:5.6mm PVC JACKET COLOR:BLACK
2.	CONNECTOR:USB 3.0 A/M, 9P, BLUE INSULATOR SOLDER TYPE, NICKEL PLATED SHELL
3.	CONNECTOR:USB 3.1 TYPE-C, MALE, NICKEL PLATED SHELL
4.	PVC MOLDED HOUSING, BLACK COLOR
5.	SCREW:#4x33 M2
6.	SCREW:#4x34.5 M2



Jargy part no.	Client part no.	Approved	SCALE	UNIT
CBL-PU3.1G1SO-Xm				mm
Drawing Name		Drawn	Date	REV.
USB 3.1 GEN 1 A to C MM				1.0

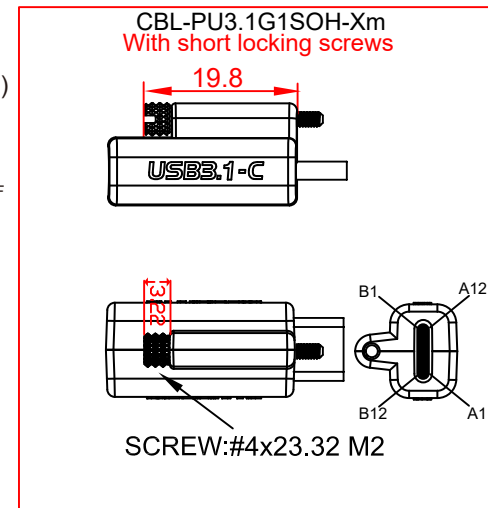
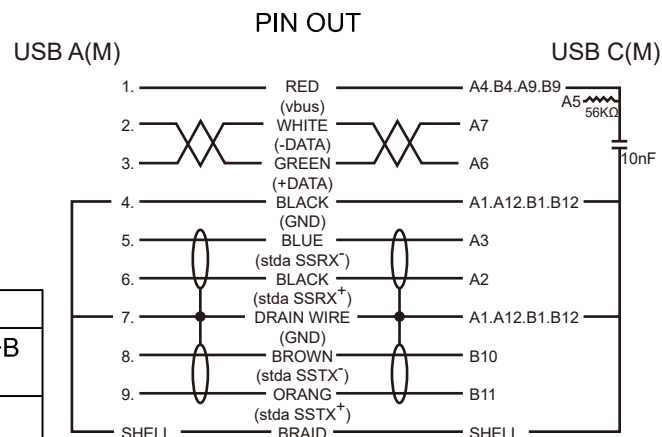


Operating Temperature: 0°C~70°C
 Operating Humidity: 20%~80% (no condensation)
 Storage Temperature: -25°C~85°C
 Storage Humidity: 20%~80% (no condensation)

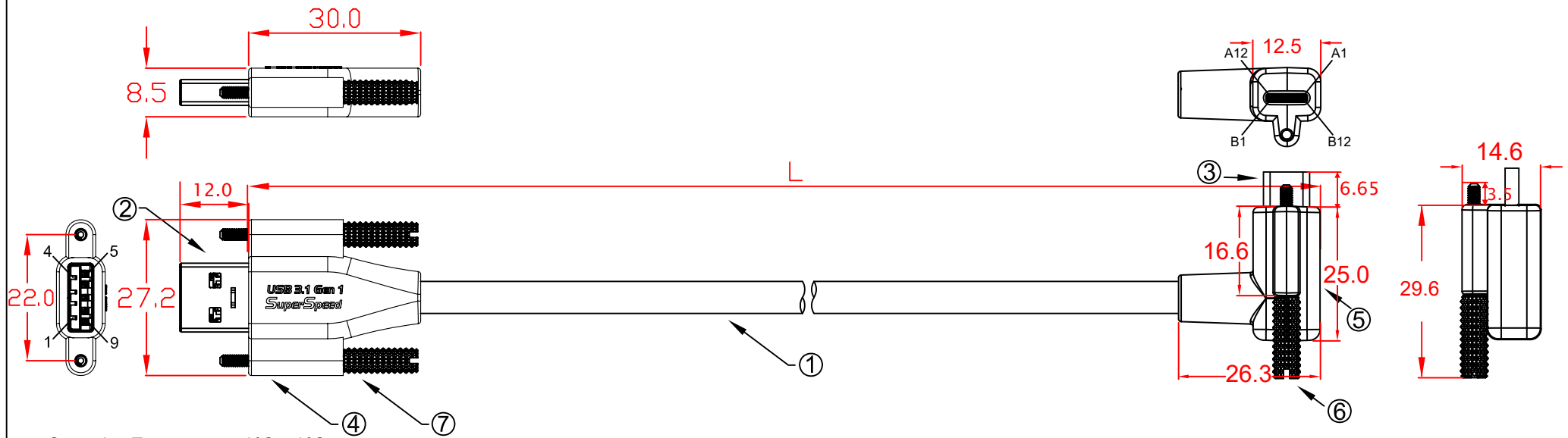
L:

CBL-PU3.1G1SO-1m	1000mm±10mm
CBL-PU3.1G1SO-2m	2000mm±20mm
CBL-PU3.1G1SO-3m	3000mm±20mm
CBL-PU3.1G1SO-4m	4000mm±30mm
CBL-PU3.1G1SO-5m	5000mm±30mm

No	MATERIALS LIST:
1.	CABLE:UL2725 (28AWG*1PR+D+AM)x2C+28AWG*1PR+24AWG*1C+AM+B OD:5.6mm PVC JACKET COLOR:BLACK
2.	CONNECTOR:USB 3.0 A/M, 9P, BLUE INSULATOR SOLDER TYPE, NICKEL PLATED SHELL
3.	CONNECTOR:USB 3.1 TYPE-C, MALE, NICKEL PLATED SHELL
4.	ABS HOUSING, BLACK COLOR
5.	SCREW:#4x33 M2
6.	SCREW:#4x34.5 M2



Jargy part no.	Client part no.	Approved	SCALE	UNIT
CBL-PU3.1G1SO-Xm				mm
Drawing Name		Drawn	Date	REV.
USB 3.1 GEN 1 A to C M/M				1.0

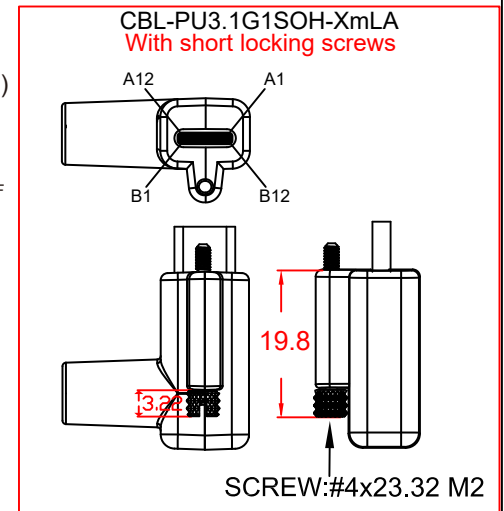
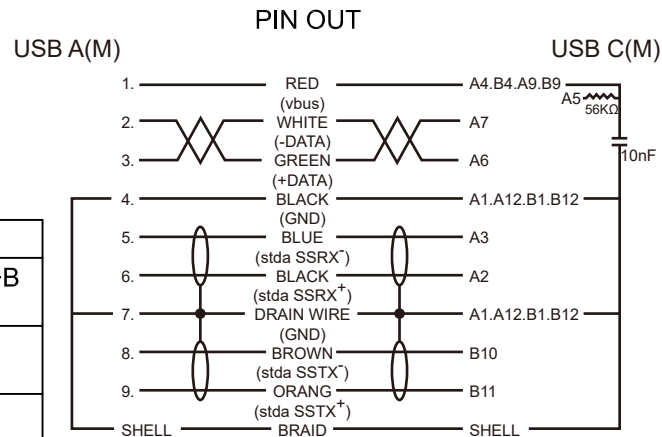


Operating Temperature: 0°C~70°C
 Operating Humidity: 20%~80% (no condensation)
 Storage Temperature: -25°C~85°C
 Storage Humidity: 20%~80% (no condensation)

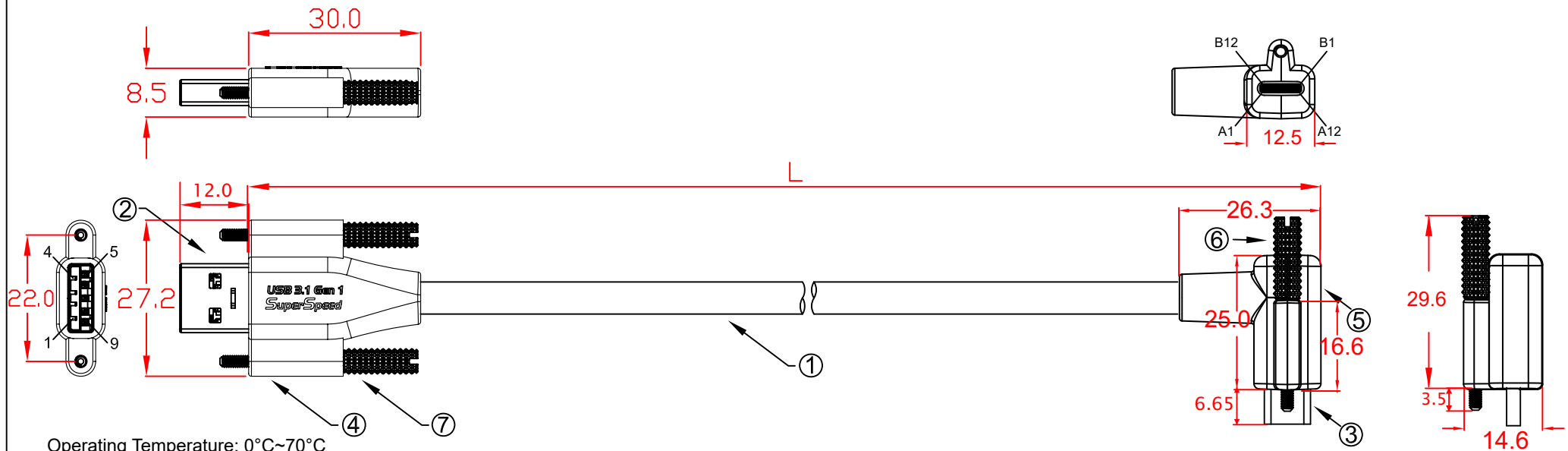
L:

CBL-PU3.1G1SO-1mLA	1000mm±10mm
CBL-PU3.1G1SO-2mLA	2000mm±20mm
CBL-PU3.1G1SO-3mLA	3000mm±20mm
CBL-PU3.1G1SO-4mLA	4000mm±30mm
CBL-PU3.1G1SO-5mLA	5000mm±30mm

No	MATERIALS LIST:
1.	CABLE:UL2725 (28AWG*1PR+D+AM)x2C+28AWG*1PR+24AWG*1C+AM+B OD:5.6mm PVC JACKET COLOR:BLACK
2.	CONNECTOR:USB 3.0 A/M, 9P, BLUE INSULATOR SOLDER TYPE, NICKEL PLATED SHELL
3.	CONNECTOR:USB 3.1 TYPE-C, MALE, NICKEL PLATED SHELL
4.	PVC MOLDED HOUSING, BLACK COLOR
5.	ABS ASSEMBLY HOUSING, BLACK COLOR
6.	SCREW:#4x33 M2
7.	SCREW:#4x34.5 M2



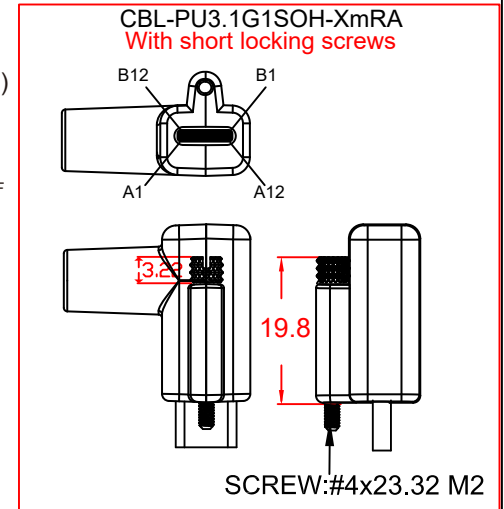
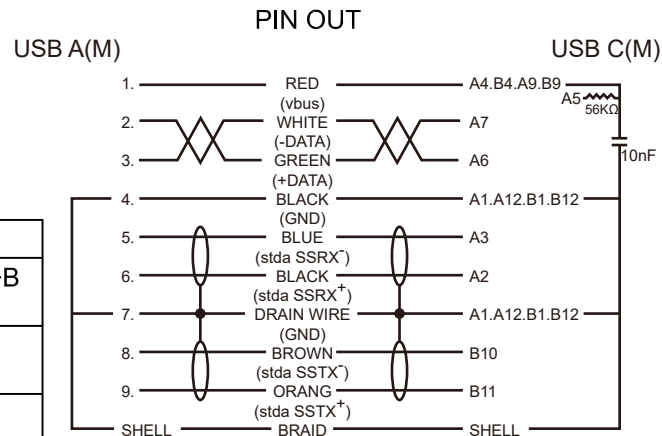
Jargy part no.	Client part no.	Approved	SCALE	UNIT
CBL-PU3.1G1SO-XmLA				mm
Drawing Name		Drawn	Date	REV.
USB 3.1 GEN 1 A to C M/M				1.0



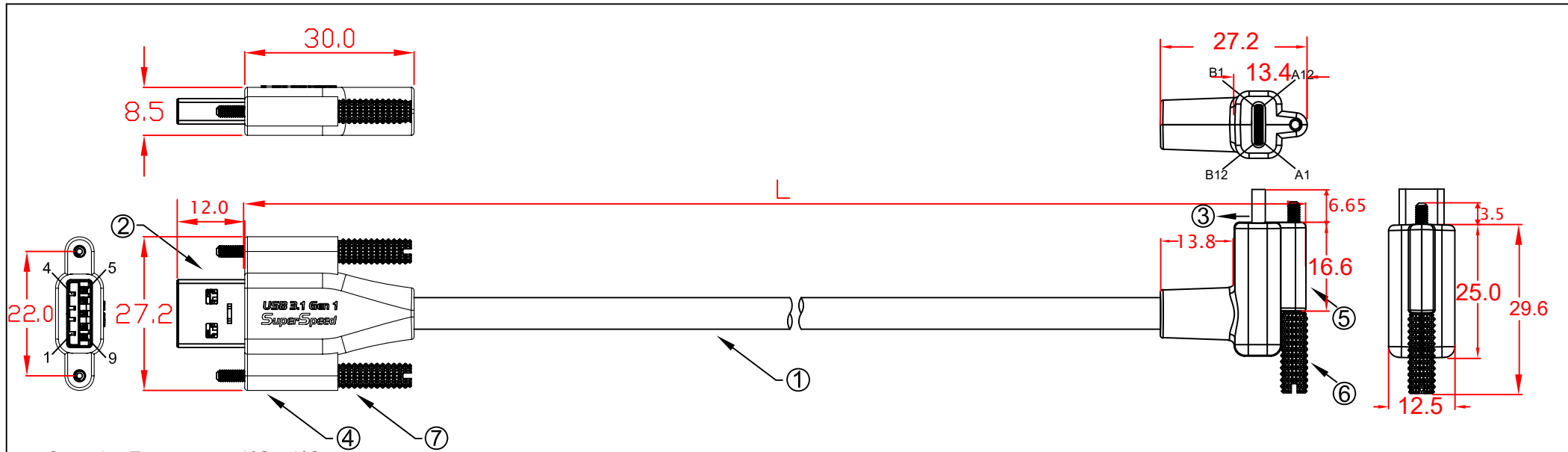
Operating Temperature: 0°C~70°C
 Operating Humidity: 20%~80% (no condensation)
 Storage Temperature: -25°C~85°C
 Storage Humidity: 20%~80% (no condensation)

L:
 CBL-PU3.1G1SO-1mRA 1000mm±10mm
 CBL-PU3.1G1SO-2mRA 2000mm±20mm
 CBL-PU3.1G1SO-3mRA 3000mm±20mm
 CBL-PU3.1G1SO-4mRA 4000mm±30mm
 CBL-PU3.1G1SO-5mRA 5000mm±30mm

No	MATERIALS LIST:
1.	CABLE:UL2725 (28AWG*1PR+D+AM)x2C+28AWG*1PR+24AWG*1C+AM+B OD:5.6mm PVC JACKET COLOR:BLACK
2.	CONNECTOR:USB 3.0 A/M, 9P, BLUE INSULATOR SOLDER TYPE, NICKEL PLATED SHELL
3.	CONNECTOR:USB 3.1 TYPE-C, MALE, NICKEL PLATED SHELL
4.	PVC MOLDED HOUSING, BLACK COLOR
5.	ABS ASSEMBLY HOUSING, BLACK COLOR
6.	SCREW:#4x33 M2
7.	SCREW:#4x34.5 M2



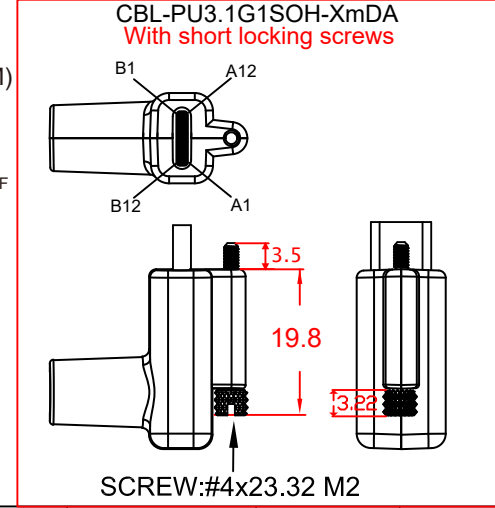
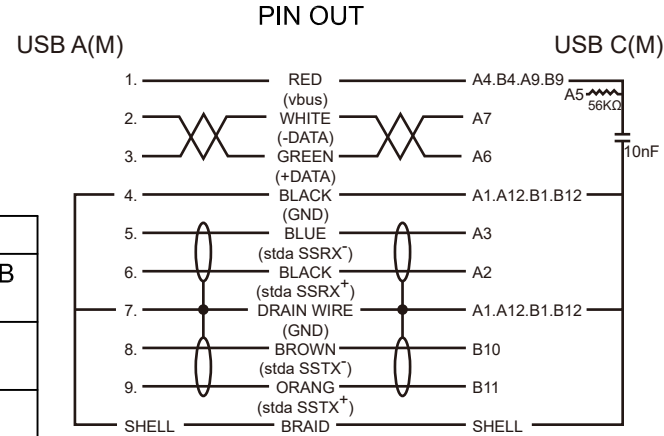
Jargy part no.	Client part no.	Approved	SCALE	UNIT
CBL-PU3.1G1SO-XmRA				mm
Drawing Name		Drawn	Date	REV.
USB 3.1 GEN 1 A to C M/M				1.0



Operating Temperature: 0°C~70°C
 Operating Humidity: 20%~80% (no condensation)
 Storage Temperature: -25°C~85°C
 Storage Humidity: 20%~80% (no condensation)

- L:
 CBL-PU3.1G1SO-1mDA 1000mm±10mm
 CBL-PU3.1G1SO-2mDA 2000mm±20mm
 CBL-PU3.1G1SO-3mDA 3000mm±20mm
 CBL-PU3.1G1SO-4mDA 4000mm±30mm
 CBL-PU3.1G1SO-5mDA 5000mm±30mm

No	MATERIALS LIST:
1.	CABLE:UL2725 (28AWG*1PR+D+AM)x2C+28AWG*1PR+24AWG*1C+AM+B OD:5.6mm PVC JACKET COLOR:BLACK
2.	CONNECTOR:USB 3.0 A/M, 9P, BLUE INSULATOR SOLDER TYPE, NICKEL PLATED SHELL
3.	CONNECTOR:USB 3.1 TYPE-C, MALE, NICKEL PLATED SHELL
4.	PVC MOLDED HOUSING, BLACK COLOR
5.	ABS ASSEMBLY HOUSING, BLACK COLOR
6.	SCREW:#4x33 M2
7.	SCREW:#4x34.5 M2



Jargy part no.	Client part no.	Approved	SCALE	UNIT
CBL-PU3.1G1SO-XmDA				mm
Drawing Name		Drawn	Date	REV.
USB 3.1 GEN 1 A to C M/M				1.0